



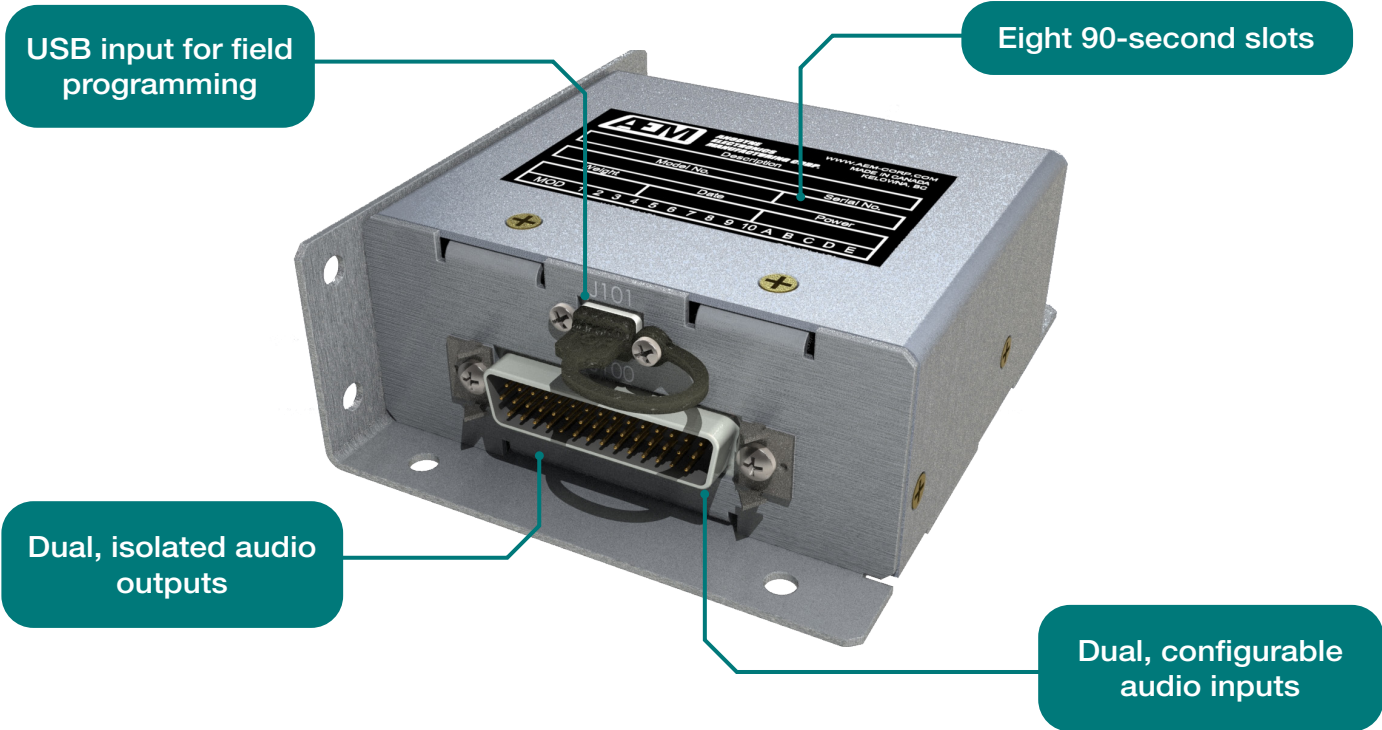
AWG08

Audio Warning Generator

A flexible, functional audio warning solution designed with the pilot and integrator in mind.

Highlights

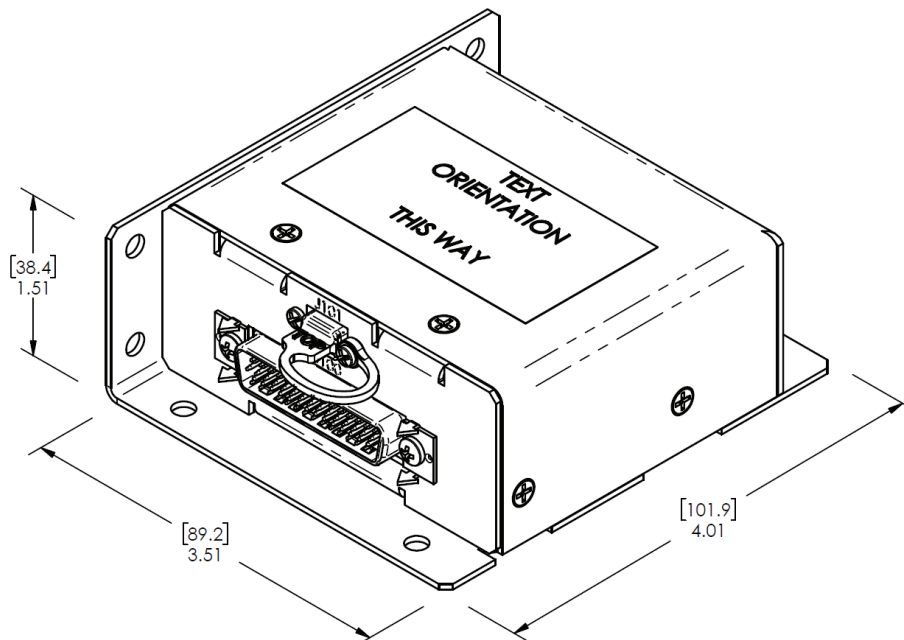
- **Flexible** solution for audio warnings
- **Capable** of providing up to eight separate tones or voice warnings, via two fully isolated outputs
- **Adaptable** features include a USB input as well as intuitive application software for field-programming



AWG08 Features

AEM's AWG08 is your flexible solution for audio warnings. Our advanced audio warning generator is capable of providing up to eight separate tones or voice warnings, via two fully isolated outputs. We addressed limitations common to aircraft audio systems by way of two isolated inputs, allowing existing system-warning audio to be summed internally with the AWG08 generated warnings.

- Industry-leading with eight 90-second slots
- Field-programmable via USB input and intuitive application software
- Priority warning management
- Dual, isolated audio outputs
- Dual, configurable audio inputs
- Qualified to DO-160G and DO-214A
- Certified to CAN-TSO-C139a



Specifications

AWG01 MECHANICAL SPECS

Height	1.51" [38.4 mm] MAX
Width	3.51" [89.2 mm] MAX
Length	4.01" [101.9 mm] MAX
Weight	0.5 lb [0.25 kg]

For more details, please email:
products@aem-corp.com
and see Installation & Operation
manuals on our website:
aem-corp.com

*LEADING
BY DESIGN*